

# Technical data sheet

Product features



## Cooking range s induction on open cabinet

<b>Model</b>	<b>SAP Code</b>	00014762
--------------	-----------------	----------



- Device type: Electric unit
- Power consumption of the zone 1 [kW]: 5
- Power consumption of the zone 2 [kW]: 5
- Protection of controls: IP24
- Material: AISI 304 top plate and cladding

<b>SAP Code</b>	00014762	<b>Power electric [kW]</b>	10.000
<b>Net Width [mm]</b>	400	<b>Loading</b>	400 V / 3N - 50 Hz
<b>Net Depth [mm]</b>	730	<b>Number of zones</b>	2
<b>Net Height [mm]</b>	900	<b>Power consumption of the zone 1 [kW]</b>	5
<b>Net Weight [kg]</b>	68.00	<b>Power consumption of the zone 2 [kW]</b>	5

# Technical data sheet

Technical drawing

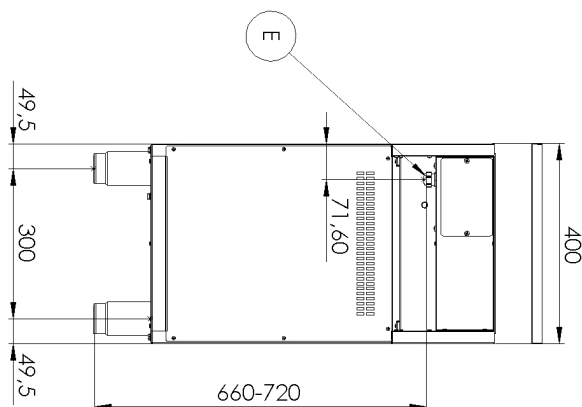
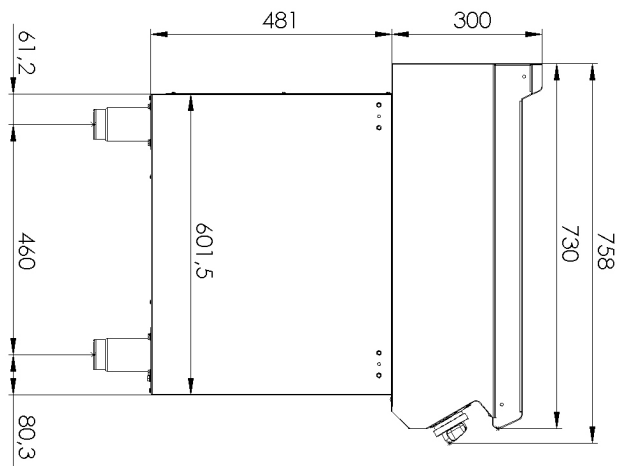
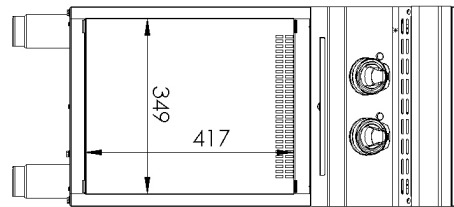
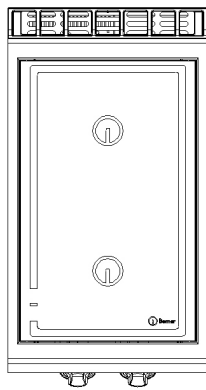


## Cooking range s induction on open cabinet

Model

SAP Code

00014762



# Technical data sheet

Technical parameters



## Cooking range s induction on open cabinet

**Model**

**SAP Code**

00014762

**1. SAP Code:**

00014762

**2. Net Width [mm]:**

400

**3. Net Depth [mm]:**

730

**4. Net Height [mm]:**

900

**5. Net Weight [kg]:**

68.00

**6. Gross Width [mm]:**

460

**7. Gross depth [mm]:**

820

**8. Gross Height [mm]:**

1080

**9. Gross Weight [kg]:**

75.00

**10. Device type:**

Electric unit

**11. Construction type of device:**

With substructure

**12. Power electric [kW]:**

10.000

**13. Loading:**

400 V / 3N - 50 Hz

**14. Protection of controls:**

IP24

**15. Exterior color of the device:**

Stainless steel

**16. Material:**

AISI 304 top plate and cladding

**17. Indicators:**

operation

**18. Worktop type:**

Molded - comfortable cleaning maintenance

**19. Worktop material:**

AISI 304

**20. Worktop Thickness [mm]:**

1.50

**21. Number of zones:**

2

**22. Power consumption of the zone 1 [kW]:**

5

**23. Power consumption of the zone 2 [kW]:**

5

**24. Service accessibility:**

Trough the frontal panel

**25. Adjustable feet:**

Yes

**26. Number of burners/hot plates:**

2

# Technical data sheet

Technical parameters



## Cooking range s induction on open cabinet

<b>Model</b>	<b>SAP Code</b>	00014762
--------------	-----------------	----------

### 27. Type of electric cooking zones:

Induction

### 28. Cross-section of conductors CU [mm<sup>2</sup>]:

2,5

– Výkon (kW): 11-17 (230 V); 19-30 (400 V)